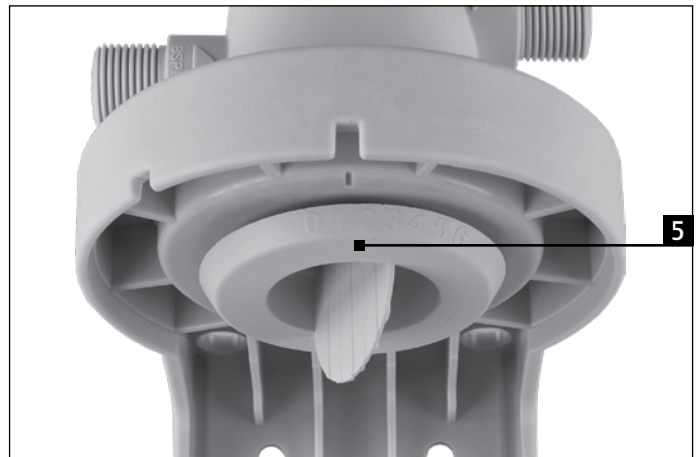
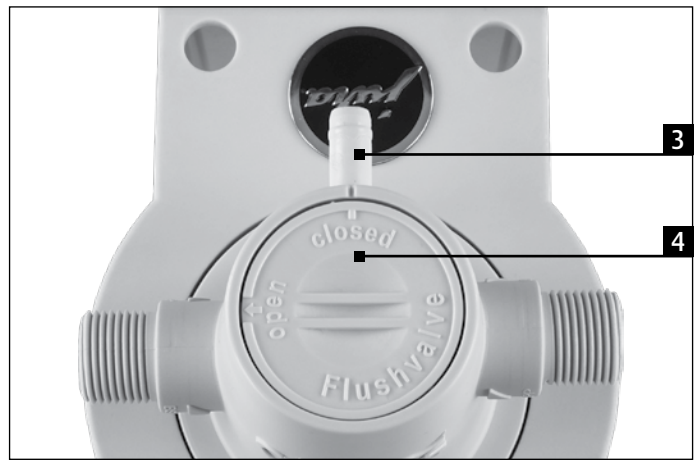


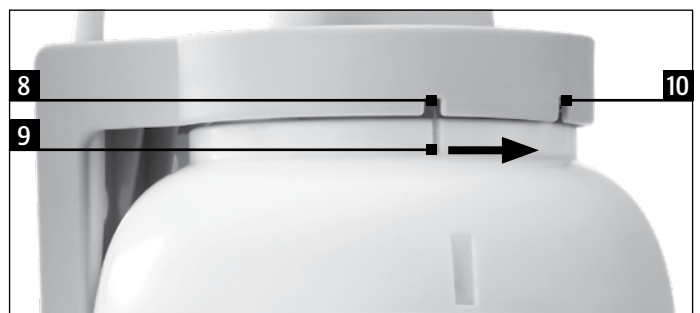
- de JURA-Wasserfiltersystem**
Bedienungsanleitung
- en JURA water-filtering system**
Instructions for use
- fr Système de filtrage d'eau JURA**
Mode d'emploi
- it Sistema di filtraggio dell'acqua JURA**
Istruzioni per l'uso
- nl JURA waterfiltersysteem**
Gebruiksaanwijzing
- es Sistema de filtrado de agua de JURA**
Modo de empleo
- pt Sistema de filtragem de água JURA**
Manual de instruções
- sv JURA-vattenfiltersystem**
Bruksanvisning
- no JURA-vannfiltersystem**
Instruksjonsbok
- pl System filtrowania wody JURA**
Instrukcja obsługi
- ru Система фильтрации воды JURA**
Руководство по эксплуатации
- cs Systém vodních filtrů JURA**
Návod k obsluze

Contents

- Component overview 2
- 1 General information / Use 3
- 2 Specific information 3
 - 2.1 Personnel 3
 - 2.2 Disclaimer 3
 - 2.3 Safety information 3
- 3 Function 3
- 4 Installation / setting 3
 - 4.1 Safety-related installation instructions 3
 - 4.2 Information on initial installation 3
 - 4.2.1 Installing the filter head with wall mounting bracket and filter cartridge 4
 - 4.2.2 Replacing a filter cartridge 4
 - 4.2.3 Setting the bypass level 4
 - 4.2.4 Determining the filter capacity 4
- 5 Service / maintenance 4
- 6 Technical data 5
- 7 Order data 5
- 8 Capacities in litres 5
- 9 JURA contact details / legal information 5



Component overview



- 1 Filter head with wall mounting bracket
- 2 Filter cartridge (F2300/F3300/F5300)
- 3 Flush pipe connection
- 4 Flush valve
- 5 Bypass setting
- 6 Inlet
- 7 Outlet
- 8 Insertion marker
- 9 Filter cartridge marker
- 10 Operation marker

1 General information / Use

The JURA water-filtering system was designed especially for JURA coffee machines. It has a modular structure and comprises of an innovative multi-functional filter head with a family of compatible filter cartridges which offer various performance settings. The system family was designed especially for specific applications in the vending sector. Thanks to their compact design, the filter systems can be installed and operated almost anywhere – be that in a vertical or horizontal position, free-standing or mounted.

The filter cartridges are available in three sizes:

- F2300
- F3300
- F5300

The filter head with wall mounting bracket can be used for all three sizes.

2 Specific information

2.1 Personnel

The filter system may only be installed and serviced by trained and authorised personnel.

2.2 Disclaimer

All rights reserved. The printed information is the latest information at the time of publication and is not considered to be binding. Although the utmost care was taken when writing these instructions for use, errors or incomplete information cannot be ruled out. We do not accept any responsibility for the validity, correctness and completeness of the information provided. The tables and images contained in these instructions for use are to be used for information purposes only.

JURA Elektroapparate AG does not accept liability for any damage including secondary damage which may result from incorrect installation or improper use of the products. JURA Elektroapparate AG does not accept liability for damage resulting from the use of components of other manufacturers.

2.3 Safety information

- Only supply the system with cold water of the same quality as potable water.
- Store the components in a dry place within a temperature range of -15 to +45 °C.
- Do not use water that is microbiologically contaminated or that is of unknown microbiological quality without prior sufficient disinfection.
- Only use the system in a location which is protected from frost and direct sunlight.
- The system must not come into contact with chemicals, solvents and other vapours.
- Before commissioning the filter system, the automatic coffee machine connected to the supply must be free of limescale.
- The filter cartridge must not be opened or display any signs of mechanical damage.
- Replace the filter cartridge after a very long period of downtime.
- Replace the filter head with wall mounting bracket after 5 years of operation and at the latest 6 years after its production date.

This also applies to pipes and seals. Pay attention to the date on the production stamp in this case.

- Rinse the system thoroughly after a longer period of downtime or after maintenance has been carried out – see the following table:

Filter cartridge	Quantity of rinse water after 1 week of downtime	Quantity of rinse water after 4 weeks of downtime
F2300	5 l	25 l
F3300	8 l	40 l
F5300	12 l	60 l

3 Function

The JURA water-filtering system uses an ion-selective filter medium in the flow to reduce the carbonate hardness of potable water.

The DuoBlend® bypass valve in the filter head can be used to adapt the hardness of the filtered water to the quality of the local potable water and the automatic coffee machine used. We always recommend **bypass level 1**.

The filter material also forms bonds with heavy metal ions such as lead, copper and cadmium. The integrated active carbon block reduces undesirable cloudiness, organic impurities, odour and taste as well as chlorine residue in the filtrate and bypass water.

4 Installation / setting

4.1 Safety-related installation instructions

- If the system pressure is greater than 8 bar, a pressure reducer must be connected upstream to the water-filtering system.
- A shut-off valve must be installed upstream of the water-filtering system.
- No copper pipes, galvanised or nickel-coated pipes or connectors may be installed between the water-filtering system and the automatic coffee machine.
- All components must be installed according to country-specific guidelines.
- The standard 'DIN 1988' must be observed when installing and operating the system.
- Only use original accessory pipes for the JURA water-filtering system as these have a longer thread.
- If the filter cartridge is removed from the filter head without being replaced by a new one, the water supply to the filter head must be shut off.
- Do not connect anything to the flush pipe or flush valve.

4.2 Information on initial installation

- Firstly, identify a suitable place to install the filter system. Note the information provided in chapter 2.
- Before you start installing the system, shut off the water supply and disconnect the automatic coffee machine from the power supply.
- Before installation, check the filter system and the accessories for any damage. Particular attention must be paid when inspecting the O-rings and seals.

- If the filter cartridge has been stored below 0 °C, it must be stored at the ambient temperature of the installation location for at least 24 hours before installation.

i The pipes for the supply and discharge lines are not supplied as standard but can be ordered as accessories. You will find more information in chapter 7.

4.2.1 Installing the filter head with wall mounting bracket and filter cartridge

i The system can be operated in a free-standing position, wall-mounted in a vertical position or horizontally.

- ▶ If mounting to a wall: Securely fasten the wall mounting bracket to the wall using suitable screws (not supplied as standard). The dowels and screws must be selected in accordance with the condition of the wall.
- ▶ Install the water inlet and outlet pipes at the filter head. When doing so, please note the following points:
 - Note the direction of flow (see markings on the filter head)
 - Max. torque when using genuine CLARIS connection pipes (accessory): 10 Nm.
 - Filter heads with 3/8" threaded connections must only use connectors with flat seals. Do not use pipes or adapters with conical screw connections, as they damage the connections and invalidate any warranty claims.
 - Only use screw adapters of a suitable type and appropriate length. When unscrewed, they must not rest axially on the filter head. Unsuitable adapters can damage the connections and invalidate any warranty claims.
- ▶ Direct the flush pipe into a suitable container (e.g. bucket) or into a drain and open the flush valve (4).
- ▶ Turn on the water supply again.
- ▶ Insert the filter cartridge into the filter head. Take note of the insertion marker (8) on the filter head and the marker on the filter cartridge (9).
- ▶ Twist the filter cartridge anti-clockwise until the end position is reached. The marker on the filter cartridge should now be in line with the operation marker (10) on the filter head. This vents the system and flushes the filter cartridge (F2300/F3300 > 10 l, F5300 > 15 l).
- ▶ Close the flush valve.
The water-filtering system is now ready for use.
- ▶ After installing the system and inserting or replacing a filter cartridge, check all components for leaks. Water must not escape from any point.

4.2.2 Replacing a filter cartridge

- ▶ Place a container under the flush pipe.
While the filter cartridge is being replaced, the automatic coffee machine and the water supply line are hydraulically disconnected from the filter head and the system depressurises. Minimum quantities of water may therefore escape from the flush pipe due to peaks in pressure.
- ▶ Slowly unscrew the used filter cartridge in an anti-clockwise direction.
This will unlock it from the filter head and allow it to be removed.
- ▶ Direct the flush pipe into a suitable container (e.g. bucket) or into a drain and open the flush valve (4).

- ▶ Remove the **new** filter cartridge from its packaging and check it for damage.
- ▶ Insert the filter cartridge into the filter head. Take note of the insertion marker (8) on the filter head and the marker on the filter cartridge (9).
- ▶ Twist the filter cartridge anti-clockwise until the end position is reached. The marker on the filter cartridge should now be in line with the operation marker (10) on the filter head. The flow in the filter head is reopened and the system is vented and flushed via the flush system (F2300/F3300 > 10 l, F5300 > 15 l).

i The flush water will be milky or cloudy at first. This is due to the dispersing air and will not take long to clear.

i Pay attention to the position of the label when inserting the filter cartridge. The label should face forwards so that all of the necessary information is visible.

- ▶ Close the flush valve.
The water-filtering system is now ready for use again.
- ▶ After replacing the filter cartridge, check all components for leaks. Water must not escape from any point.

4.2.3 Setting the bypass level

i When using the water-filtering system, we always recommend **bypass level 1**.

4.2.4 Determining the filter capacity

Based on the local carbonate hardness of the mains water and of bypass level 1, use the tables in chapter 8 to identify the resultant filter cartridge capacity.

Please enter the installation date and time of replacement in the corresponding fields (on which it is possible to write in pen) on the filter cartridge label.

5 Service / maintenance

The system will only function safely and reliably if the filter cartridge is replaced on a regular basis. The replacement cycles depend on the carbonate hardness of the potable water, the application and the set bypass level (we always recommend **bypass level 1**).

We recommend replacing the filter cartridge after 6 months and no later than after 12 months.

The operator must check the system for leaks everyday.

When replacing the filter cartridge, check all parts for impurities and damage. Damaged parts must be replaced and impurities removed.

6 Technical data

Dimensions	F2300	F3300	F5300
Total system height (in mm)	410	525	525
Filter cartridge height (in mm)	260	475	475
Filter cartridge diameter (in mm)	136	136	175
Minimum distance to ground (in mm)	40	40	40
Weight (in kg)	3.2	4.3	6.5

Operating data			
System pressure (without pressure surges)	2–8 bar		
Water temperature / ambient temperature	4–30 °C		

7 Order data

Article numbers	F2300	F3300	F5300
Filter cartridge	24099	24100	24101
Filter head le/ri 3/8"	24098		
CLARIS connection pipe 3/8" × 3/8"	69539		

8 Capacities in litres

i Capacities always refer to bypass level 1.

°KH (in °dH)	F2300	F3300	F5300
4	5830	8330	13350
5	4665	6660	10650
6	3890	5550	8880
7	3335	4760	7620
8	2920	4170	6680
9	2590	3700	5950
10	2335	3330	5330
11	2120	3030	4850
12	1945	2780	4450
13	1795	2560	4100
14	1665	2380	3810
15	1555	2220	3550
16	1460	2080	3330
17	1370	1960	3130
19	1225	1750	2800
21	1110	1585	2535
23	1010	1445	2315
26	895	1280	2045
29	800	1145	1830
33	700	1000	1600
38	610	875	1400

9 JURA contact details / legal information

JURA Elektroapparate AG
Kaffeeweltstrasse 10
CH-4626 Niederbuchsiten
Tel. +41 (0)62 38 98 233

www.jura.com

We reserve the right to make technical changes.